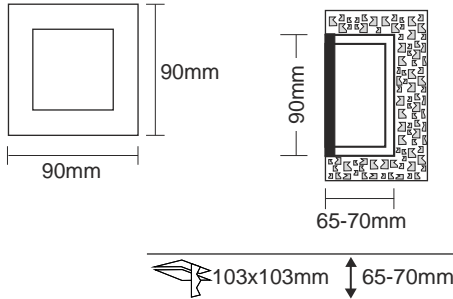


**MINI QUADRO LED 1  
FRAMELESS**

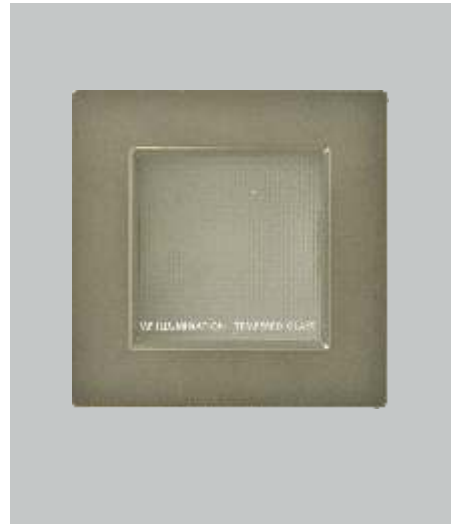
**0761**  LED POWER LED 1W / 230/240V 350mA   

**0762**  LED POWER LED 1W / 350mA   







- ▶ μ
- ▶ , μ
- ▶ μ tempered
- ▶ μ 4mm
- ▶ μ inox
- ▶ μ led driver 230/240V
- ▶ μ 1 led 350mA -μ -
- μ -

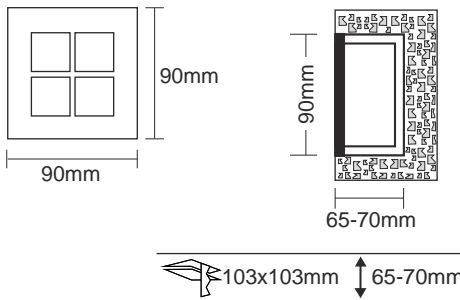
- ▶ Decorative waterproof fitting
- ▶ for indoors use
- ▶ wall recessed for placement on the wall or the ceiling
- ▶ from die cast aluminum
- ▶ with tempered glass 4mm thick
- ▶ and inox screws
- ▶ with led driver 230/240V
- ▶ with 1 led 350mA in white-blue-red -yellow-green colors, of high lighting efficiency.



**MINI QUADRO LED 2  
FRAMELESS**

**0763**  LED POWER LED 1W / 230/240V 350mA   

**0764**  LED POWER LED 1W / 350mA   







- ▶ μ
- ▶ , μ
- ▶ μ tempered
- ▶ μ 4mm
- ▶ μ inox
- ▶ μ led driver 230/240V
- ▶ μ 1 led 350mA -μ -
- μ -

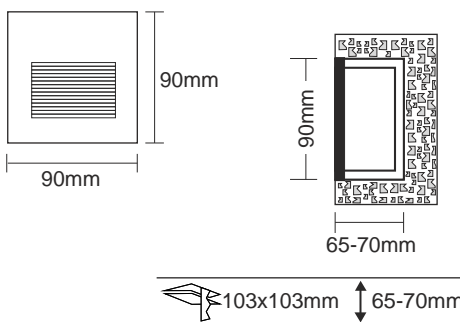
- ▶ Decorative waterproof fitting
- ▶ for indoors use
- ▶ wall recessed for placement on the wall or the ceiling
- ▶ from die cast aluminum
- ▶ with tempered glass 4mm thick
- ▶ and inox screws
- ▶ with led driver 230/240V
- ▶ with 1 led 350mA in white-blue-red -yellow-green colors, of high lighting efficiency.



**MINI QUADRO LED 3  
FRAMELESS**

**0765**  LED POWER LED 1W / 230/240V 350mA   

**0766**  LED POWER LED 1W / 350mA   



- ▶ μ
- ▶ , μ
- ▶ μ tempered
- ▶ μ 4mm
- ▶ μ μ μ
- ▶ μ inox μ
- ▶ μ led driver 230/240V
- ▶ μ 1 led 350mA -μ -
- μ -

- ▶ Decorative waterproof fitting
- ▶ for indoors use
- ▶ wall recessed for placement on the wall or the ceiling
- ▶ from die cast aluminum
- ▶ with tempered glass 4mm thick
- ▶ and asymmetric reflector
- ▶ for darklight output
- ▶ and inox screws
- ▶ with led driver 230/240V
- ▶ with 1 led 350mA in white-blue-red -yellow-green colors, of high lighting efficiency.

