

LINEA IN LED 1



INDICATIVE LED TABLE* CRI>80

7 LED

7watt | 7x1w 230-240v/350ma | 2700-3000-4000 KELVIN | 630-665-735 LUMEN |
 10.50watt | 7x1.50w 230-240v/500ma | 2700-3000-4000 KELVIN | 840-910-980 LUMEN |
 External length 325mm – Cutting Length 315mm

14 LED

14watt | 14x1w 230-240v/350ma | 2700-3000-4000 KELVIN | 1260-1330-1470 LUMEN |
 21watt | 14x1.50w 230-240v/350ma | 2700-3000-4000 KELVIN | 1680-1820-1960 LUMEN |
 External length 605mm – Cutting Length 595mm

21 LED

21watt | 21x1w 230-240v/350ma | 2700-3000-4000 KELVIN | 1890-1995-2205 LUMEN |
 31.50watt | 21x1.50w 230-240v/350ma | 2700-3000-4000 KELVIN | 2520-2730-2940 LUMEN
 External length 885mm – Cutting Length 875mm

28 LED

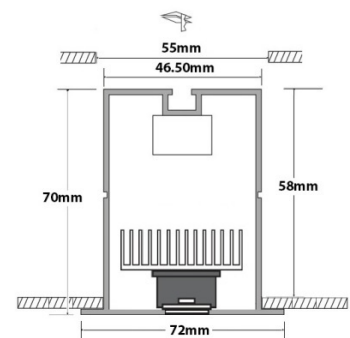
28watt | 28x1w 230-240v/350ma | 2700-3000-4000 KELVIN | 2520-2660-2940 LUMEN |
 42watt | 28x1.50w 230-240v/350ma | 2700-3000-4000 KELVIN | 3360-3640-3920 LUMEN |
 External length 1165mm – Cutting Length 1155mm

35 LED

35watt | 35x1w 230-240v/350ma | 2700-3000-4000 KELVIN | 3150-3325-3675 LUMEN |
 52.50watt | 35x1.50w 230-240v/350ma | 2700-3000-4000 KELVIN | 4200-4550-4900 LUMEN |
 External length 1435mm – Cutting Length 1425mm



- Linear ceiling recessed fitting
- for indoors use
- from extruded aluminum powder coated
- with incorporated High Power Led SMD technology
- LM80, CRI>80 as standard
- upon request available with CRI>90 or CRI 98+
- adjusted on a linear cooling system for heat management
- in 2700-3000-4000 Kelvin color temperature
- upon request also available in 3500-5000-6500 Kelvin
- with lenses 15°-25°-35°-45°-60°
- upon request available with elliptical beam lenses
- works with internal/incorporated Led driver
- or with remote/external LED driver
- On/off, dimmable phase cut/Dali/1-10v



LINEA IN LED 2



INDICATIVE LED TABLE* CRI>80

7 LED

7watt | 7x1w 230-240v/350ma | 2700-3000-4000 KELVIN | 630-665-735 LUMEN |
 10.50watt | 7x1.50w 230-240v/500ma | 2700-3000-4000 KELVIN | 840-910-980 LUMEN |
 External length 325mm – Cutting Length 315mm

14 LED

14watt | 14x1w 230-240v/350ma | 2700-3000-4000 KELVIN | 1260-1330-1470 LUMEN |
 21watt | 14x1.50w 230-240v/350ma | 2700-3000-4000 KELVIN | 1680-1820-1960 LUMEN |
 External length 605mm – Cutting Length 595mm

21 LED

21watt | 21x1w 230-240v/350ma | 2700-3000-4000 KELVIN | 1890-1995-2205 LUMEN |
 31.50watt | 21x1.50w 230-240v/350ma | 2700-3000-4000 KELVIN | 2520-2730-2940 LUMEN
 External length 885mm – Cutting Length 875mm

28 LED

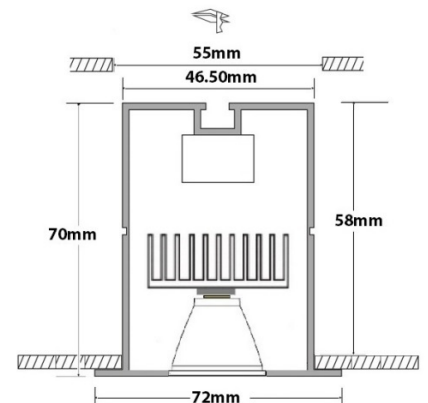
28watt | 28x1w 230-240v/350ma | 2700-3000-4000 KELVIN | 2520-2660-2940 LUMEN |
 42watt | 28x1.50w 230-240v/350ma | 2700-3000-4000 KELVIN | 3360-3640-3920 LUMEN |
 External length 1165mm – Cutting Length 1155mm

35 LED

35watt | 35x1w 230-240v/350ma | 2700-3000-4000 KELVIN | 3150-3325-3675 LUMEN |
 52.50watt | 35x1.50w 230-240v/350ma | 2700-3000-4000 KELVIN | 4200-4550-4900 LUMEN |
 External length 1435mm – Cutting Length 1425mm



- Linear ceiling recessed fitting
- for indoors use
- from extruded aluminum powder coated
- with incorporated High Power Led SMD technology
- LM80, CRI>80 as standard
- upon request available with CRI>90 or CRI 98+
- adjusted on a linear cooling system for heat management
- in 2700-3000-4000 Kelvin color temperature
- upon request also available in 3500-5000-6500 Kelvin
- with dark light aluminum reflectors 15° & 25°
- upon request available with elliptical beam lenses
- works with internal/incorporated Led driver
- or with remote/external LED driver
- On/off, dimmable phase cut/Dali/1-10v



*Η τεχνολογία των led είναι σε διαρκή εξέλιξη οπότε πριν παραγγείλετε, παρακαλούμε επιβεβαιώστε στο led είναι διαθέσιμο
 Led technology changes constantly forward, so before selecting / ordering the most suitable product for you, ask for a confirmation that this is the most updated product to our list.