



- Linear led lighting fitting
- wall fixed mounted
- waterproof suitable for exteriors use
- from extruded aluminum polyester powder coated
- suitable for resistance in external spaces
- with incorporated High Power Led Smd technology
- CRI>80 | 3 SDCM | as standard
- upon request available with CRI>90
- adjusted on a linear cooling system for best thermal management
- in 2700K-3000K-4000K color temperature
- upon request also available in 3500K-5000K and 6500K
- with symmetric lenses 11°-15°-24°-28°-32°-41°-48°-63°
- or elliptical beam lenses 15°x35°, 22°x37°
- work with built in led driver, on/off as standard
- upon request available with dimmable led driver
- phase cut/Dali/1-10volt
- with 1 or 2 cable glands PG9 IP68 or PG11 IP68
- for input and output of power supply cables
- with brackets at the two sides for capability of movement
- with silicon gaskets and inox screws
- upon request is offered with pre-fitted cable in neoprene
- with male and female fis fast connection with IP68 protection
- suitable for exterior lighting of building facades, windows

CRI>80 | System power & Luminaire Flux at 28°

For information regarding other beam angles use the table factors for lumen output

Version 1

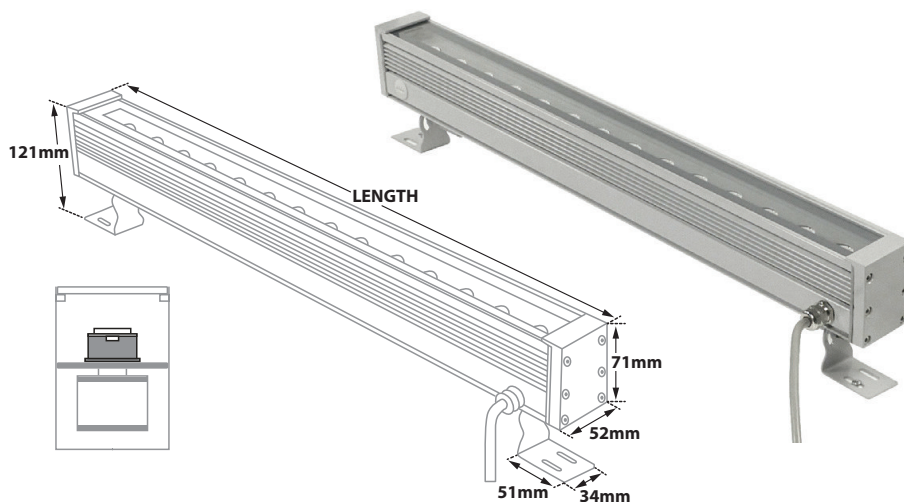
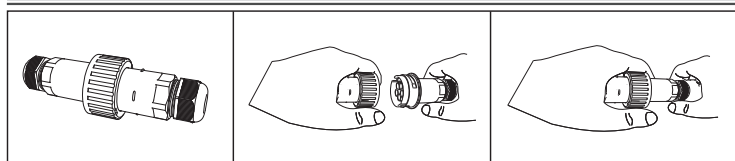
23211		8.4W 7x1.20W	220-240V 2700-3000-4000 KELVIN 775 - 816 - 863 LUMEN	LENGTH=315mm			
23212		16.8W 14x1.20W	220-240V 2700-3000-4000 KELVIN 1550-1632-1726 LUMEN	LENGTH=615mm			
23213		25.2W 21x1.20W	220-240V 2700-3000-4000 KELVIN 2325-2448-2589 LUMEN	LENGTH=915mm			
23214		33.6W 28x1.20W	220-240V 2700-3000-4000 KELVIN 3100-3264-3452 LUMEN	LENGTH=1215mm			
23215		42.0W 35x1.20W	220-240V 2700-3000-4000 KELVIN 3875-4080-4315 LUMEN	LENGTH=1515mm			

GLASS (5mm)

CE

Beam angle	Factor
11°	0.86
15°	0.97
24°	0.96
28°	1.00
32°	0.86
41°	0.91
48°	0.89
63°	0.88
15°x35°	0.93
22°x37°	0.82

Upon request luminaire is available with pre-connected IP68 male and female fis for fast connection



Standard color

Available colors upon request



*Η τεχνολογία των LED είναι σε διαρκή εξέλιξη οπότε πριν παραγγείλετε, παρακαλούμε επιβεβαιώστε ποιο LED είναι διαθέσιμο
LED technology changes constantly forward, so before selecting / ordering the most suitable product for you,
ask for a confirmation that this is the most updated product to our list.

warm 2700 Kelvin warm white 3000 Kelvin neutral white 4000 Kelvin