

## Technoline 5 High



- Linear led lighting fitting
- wall fixed mounted
- waterproof suitable for exteriors use
- from extruded aluminum polyester powder coated
- suitable for resistance in external spaces
- with incorporated High Power Led Smd technology
- CRI>80 | 3 SDCM | as standard
- upon request available with CRI>90
- adjusted on a linear cooling system for best thermal management
- in 2700K-3000K-4000K color temperature
- upon request also available in 3500K-5000K and 6500K
- with symmetric lenses 11°-15°-24°-28°-32°-41°-48°-63°
- or elliptical beam lenses 15°x35°, 22°x37°
- work with built in led driver, on/off as standard
- upon request available with dimmable led driver
- phase cut/Dali/1-10volt
- with 1 or 2 cable glands PG9 IP68 or PG11 IP68
- for input and output of power supply cables
- with brackets at the two sides for capability of movement
- with silicon gaskets and inox screws
- upon request is offered with pre-fitted cable in neoprene
- with male and female fis fast connection with IP68 protection
- suitable for exterior lighting of building facades, windows

CRI>80 | System power & Luminaire Flux at 28°

For information regarding other beam angles use the table factors for lumen output

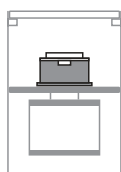
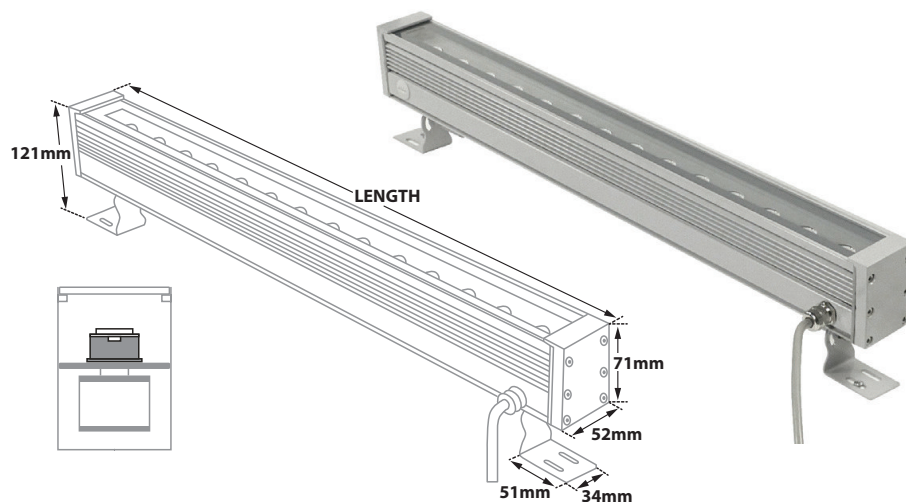
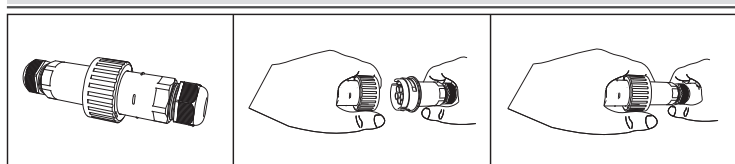
23786		14.0W   7x2.0W   220-240V   2700-3000-4000 KELVIN   1220-1284-1383 LUMEN	LENGTH=315mm	
23787		28.0W   14x2.0W   220-240V   2700-3000-4000 KELVIN   2440-2568-2766 LUMEN	LENGTH=615mm	
23788		42.0W   21x2.0W   220-240V   2700-3000-4000 KELVIN   3660-3852-4149 LUMEN	LENGTH=915mm	
23789		56.0W   28x2.0W   220-240V   2700-3000-4000 KELVIN   4880-5136-5532 LUMEN	LENGTH=1215mm	
23790		70.0W   35x2.0W   220-240V   2700-3000-4000 KELVIN   6100-6420-6915 LUMEN	LENGTH=1515mm	

GLASS (5mm)

CE IP65

Beam angle	Factor
11°	0.86
15°	0.97
24°	0.96
28°	1.00
32°	0.86
41°	0.91
48°	0.89
63°	0.88
15°x35°	0.93
22°x37°	0.82

Upon request luminaire is available with pre-connected IP68 male and female fis for fast connection



Standard color 18

Available colors upon request 01 02



\*Η τεχνολογία των LED είναι σε διαρκή εξέλιξη οπότε πριν παραγγείλετε, παρακαλούμε επιβεβαιώστε ποιο LED είναι διαθέσιμο  
LED technology changes constantly forward, so before selecting / ordering the most suitable product for you,  
ask for a confirmation that this is the most updated product to our list.

warm 2700 Kelvin warm white 3000 Kelvin neutral white 4000 Kelvin