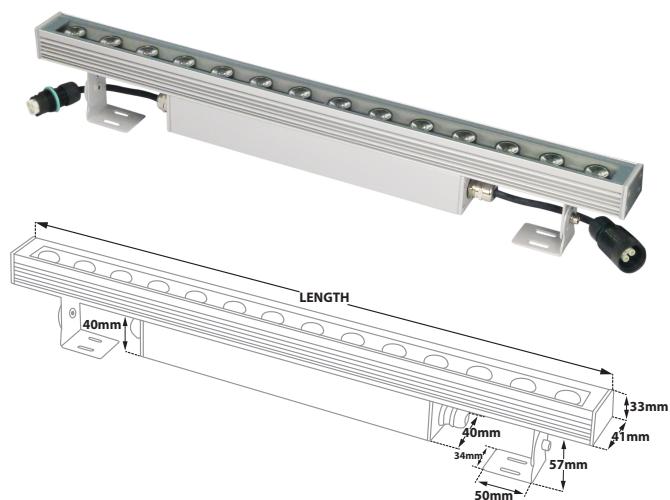


## Technoline 7 Asymmetric High



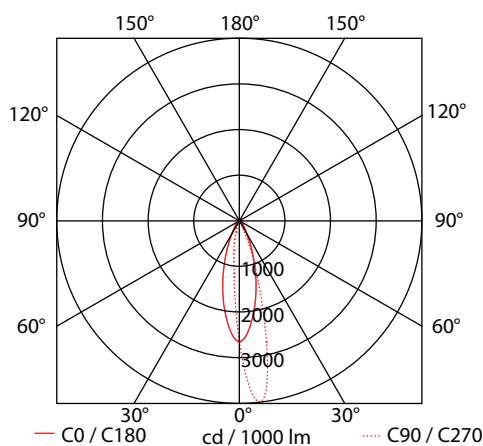
- Linear led lighting fitting
- wall fixed mounted
- waterproof suitable for exteriors use
- from extruded aluminum polyester powder coated
- suitable for resistance in external spaces
- with incorporated High Power Led Smd technology
- CRI>80 | 3 SDCM | as standard
- upon request available with CRI>90
- adjusted on a linear cooling system for best thermal management
- in 2700K-3000K-4000K color temperature
- upon request also available in 3500K-5000K and 6500K
- with lenses asymmetrical beam angle
- work with built in led driver, on/off as standard
- upon request available with dimmable led driver
- phase cut/Dali/1-10volt
- with 1 or 2 cable glands PG9 IP68 or PG11 IP68
- for input and output of power supply cables
- with brackets at the two sides for capability of movement
- with silicon gaskets and inox screws
- upon request is offered with pre-fitted cable in neoprene
- with male and female fis fast connection with IP68 protection
- suitable for exterior lighting of building facades, windows

## CRI&gt;80 | System power &amp; Luminaire Flux

23975	28.0W   14x2.0W	220-240V	2700-3000-4000 KELVIN	2488-2620-2822 LUMEN	LENGTH=585mm	ⓘ ⊥ ▲
23976	42.0W   21x2.0W	220-240V	2700-3000-4000 KELVIN	3732-3930-4233 LUMEN	LENGTH=885mm	ⓘ ⊥ ▲
23977	56.0W   28x2.0W	220-240V	2700-3000-4000 KELVIN	4976-5240-5644 LUMEN	LENGTH=1185mm	ⓘ ⊥ ▲
23978	70.0W   35x2.0W	220-240V	2700-3000-4000 KELVIN	6220-6550-7055 LUMEN	LENGTH=1425mm	ⓘ ⊥ ▲

GLASS (5mm)

CE IP65



Upon request luminaire is available with pre-connected IP68 male and female fis for fast connection

