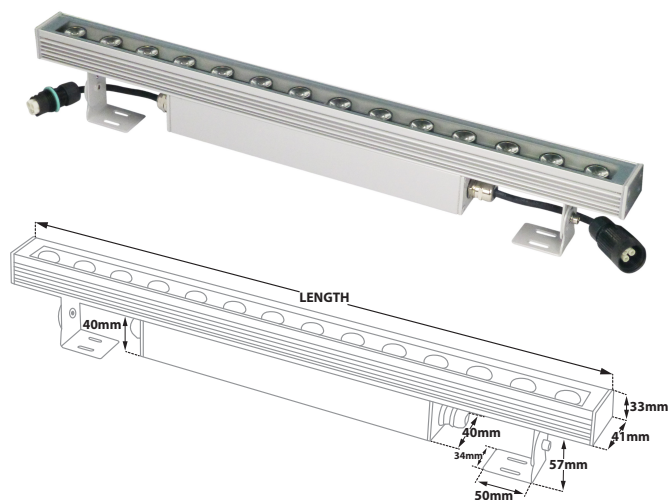


Technoline 7 Asymmetric

Version 1



- Linear led lighting fitting
- wall fixed mounted
- waterproof suitable for exteriors use
- from extruded aluminum polyester powder coated
- suitable for resistance in external spaces
- with incorporated High Power Led Smd technology
- CRI>80 | 3 SDCM | as standard
- upon request available with CRI>90
- adjusted on a linear cooling system for best thermal management
- in 2700K-3000K-4000K color temperature
- upon request also available in 3500K-5000K and 6500K
- with lenses asymmetrical beam angle
- work with built in led driver, on/off as standard
- upon request available with dimmable led driver
- phase cut/Dali/1-10volt
- with 1 or 2 cable glands PG9 IP68 or PG11 IP68
- for input and output of power supply cables
- with brackets at the two sides for capability of movement
- with silicon gaskets and inox screws
- upon request is offered with pre-fitted cable in neoprene
- with male and female fis fast connection with IP68 protection
- suitable for exterior lighting of building facades, windows

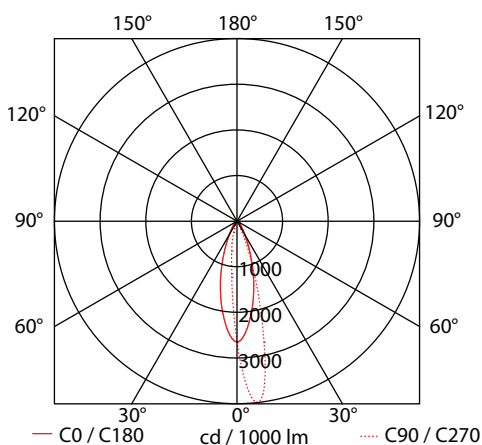
CRI>80 | System power & Luminaire Flux

Asymmetric Version 1

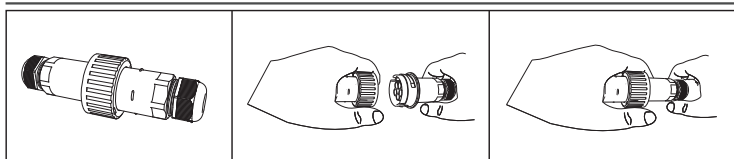
23967		16.8W 14x1.20W 220-240V 2700-3000-4000 KELVIN 1580-1664-1760 LUMEN	LENGTH=585mm	
23968		25.2W 21x1.20W 220-240V 2700-3000-4000 KELVIN 2370-2496-2640 LUMEN	LENGTH=885mm	
23969		33.6W 28x1.20W 220-240V 2700-3000-4000 KELVIN 3160-3328-3520 LUMEN	LENGTH=1185mm	
23970		42.0W 35x1.20W 220-240V 2700-3000-4000 KELVIN 3950-4160-4400 LUMEN	LENGTH=1425mm	

GLASS (5mm)

CE IP65



Upon request luminaire is available with pre-connected IP68 male and female fis for fast connection



Standard color 18

Available colors upon request

01

02

*Η τεχνολογία των LED είναι σε διαρκή εξέλιξη οπότε πριν παραγγείλετε, παρακαλούμε επιβεβαιώστε ποιο LED είναι διαθέσιμο
LED technology changes constantly forward, so before selecting / ordering the most suitable product for you,
ask for a confirmation that this is the most updated product to our list.

warm 2700 Kelvin warm white 3000 Kelvin neutral white 4000 Kelvin