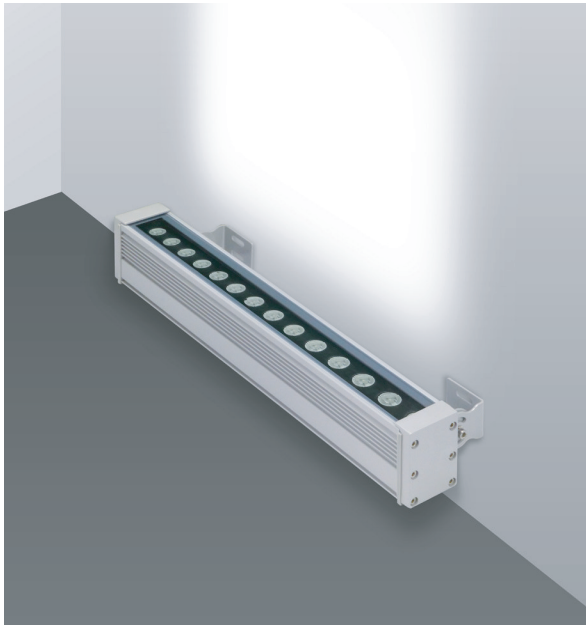


Technoline 8 Assymmetric



- Linear led lighting fitting
- wall fixed mounted
- waterproof suitable for exteriors use
- from extruded aluminum polyester powder coated
- suitable for resistance in external spaces
- with incorporated High Power Led Smd technology
- CRI>80 | 3 SDCM | as standard
- upon request available with CRI>90
- adjusted on a linear cooling system for best thermal management
- in 2700K-3000K-4000K color temperature
- upon request also available in 3500K-5000K and 6500K
- with lenses of asymmetrical beam angle
- work with built in led driver, on/off as standard
- upon request available with dimmable led driver
- phase cut/Dali/1-10volt
- with 1 or 2 cable glands PG9 IP68 or PG11 IP68
- for input and output of power supply cables
- with brackets at the two sides for capability of movement
- with silicon gaskets and inox screws
- upon request is offered with pre-fitted cable in neoprene
- with male and female fis fast connection with IP68 protection
- suitable for exterior lighting of building facades, windows

CRI>80 | System power & Luminaire Flux

Version 1

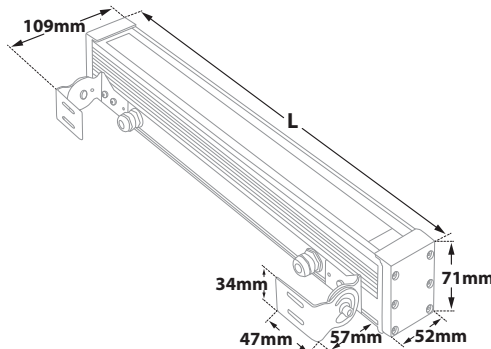
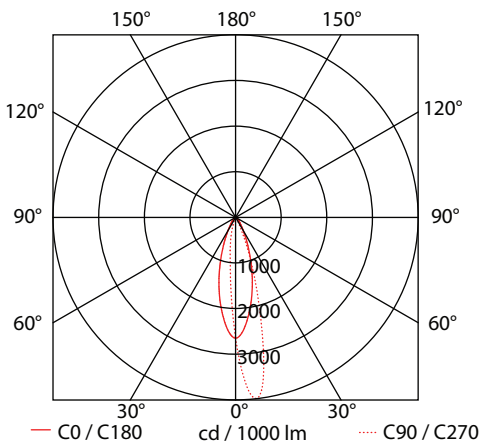
23932		8.4W	7x1.20W	220-240V	2700-3000-4000 KELVIN	790-832-880	LUMEN	LENGTH=315mm	
23933		16.8W	14x1.20W	220-240V	2700-3000-4000 KELVIN	1580-1664-1760	LUMEN	LENGTH=615mm	
23934		25.2W	21x1.20W	220-240V	2700-3000-4000 KELVIN	2370-2496-2640	LUMEN	LENGTH=915mm	
23935		33.6W	28x1.20W	220-240V	2700-3000-4000 KELVIN	3160-3328-3520	LUMEN	LENGTH=1215mm	
23936		42.0W	35x1.20W	220-240V	2700-3000-4000 KELVIN	3950-4160-4400	LUMEN	LENGTH=1515mm	

Version 2

23937		12.6W	7x1.80W	220-240V	2700-3000-4000 KELVIN	1078-1135-1213	LUMEN	LENGTH=315mm	
23938		25.2W	14x1.80W	220-240V	2700-3000-4000 KELVIN	2156-2270-2426	LUMEN	LENGTH=615mm	
23939		37.8W	21x1.80W	220-240V	2700-3000-4000 KELVIN	3234-3405-3639	LUMEN	LENGTH=915mm	
23940		50.4W	28x1.80W	220-240V	2700-3000-4000 KELVIN	4312-4540-4852	LUMEN	LENGTH=1215mm	
23941		63.0W	35x1.80W	220-240V	2700-3000-4000 KELVIN	5390-5675-6065	LUMEN	LENGTH=1515mm	

GLASS (5mm)

CE IP65



Upon request luminaire is available with pre-connected IP68 male and female fis for fast connection

