

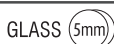
- Linear led lighting fitting
- wall fixed mounted
- waterproof suitable for exteriors use
- from extruded aluminum polyester powder coated
- suitable for resistance in external spaces
- with incorporated High Power Led Smd technology
- CRI>80 | 3 SDCM | as standard
- upon request available with CRI>90
- adjusted on a linear cooling system for best thermal management
- in 2700K-3000K-4000K color temperature
- upon request also available in 3500K-5000K and 6500K
- with symmetric lenses 11°-15°-24°-28°-32°-41°-48°-63°
- or elliptical beam lenses 15°x35° , 22x37°
- work with built in led driver, on/off as standard
- upon request available with dimmable led driver
- phase cut/Dali/1-10volt
- with 1 or 2 cable glands PG9 IP68 or PG11 IP68
- for input and output of power supply cables
- with brackets at the two sides for capability of movement
- with silicon gaskets and inox screws
- upon request is offered with pre-fitted cable in neoprene
- with male and female fis fast connection with IP68 protection
- suitable for exterior lighting of building facades, windows

CRI>80 | System power & Luminaire Flux at 28°

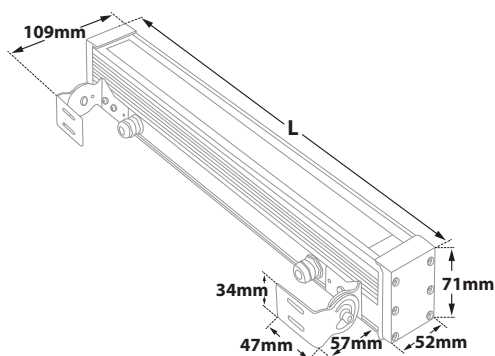
For information regarding other beam angles use the table factors for lumen output

Version 2

23524		12.6W		7x1.8W		220-240V		2700-3000-4000 KELVIN		1057-1113-1189 LUMEN	LENGTH=315mm	
23525		25.2W		14x1.8W		220-240V		2700-3000-4000 KELVIN		2114-2226-2378 LUMEN	LENGTH=615mm	
23526		37.8W		21x1.8W		220-240V		2700-3000-4000 KELVIN		3171-3339-3567 LUMEN	LENGTH=915mm	
23527		50.4W		28x1.8W		220-240V		2700-3000-4000 KELVIN		4228-4452-4753 LUMEN	LENGTH=1215mm	
23528		63.0W		35x1.8W		220-240V		2700-3000-4000 KELVIN		5285-5565-5945 LUMEN	LENGTH=1515mm	



Beam angle	Factor
11°	0.86
15°	0.97
24°	0.96
28°	1.00
32°	0.86
41°	0.91
48°	0.89
63°	0.88
15°x35°	0.93
22°x37°	0.82



Upon request luminaire is available with pre-connected IP68 male and female fis for fast connection

